



**MWi UniCom VL**  
SIP to SMDI MWI Translator

## Product Brochure



### Hardware Features

- Dimensions: 6.5" x 7.25" x 1.625" (D x W x H)
- RS-232 Serial SMDI Port
- 10/100 Ethernet interface
- 100 - 240 VAC
- RS232 Console Port

## DESCRIPTION

The Microtronix **MWi UniCom VL Translator** provides Message Waiting Indicator (MWI) notifications from a VoIP Voice Mail System to legacy analog phones connected to a PSTN Voice Switch or PBX system. It supports translation of SIP MWI messages into SMDI MWI messages. This is a key requirement for the deployment of MWI service to analog phone networks from VoIP Voice Mail systems.

The Microtronix **MWi UniCom VL Translator** bridges the gap between VoIP technologies such as Microsoft Exchange Server 2007, Geomant MWI 2007 or Nortel UM 2000 Unified Messaging Servers and legacy PSTN Switches or PBX systems. Based upon the status change of the voice mailbox, the VoIP Voice Mail System issues SIP MWI messages over Ethernet using TCP/IP or UDP/IP to the **MWi UniCom VL Translator**. The unit translates these into SMDI MWI notifications and sends them using an RS-232 serial port to a PSTN Switch or PBX for delivery of the MWI notifications.

The userID (telephone number) and MWI status are extracted from the inbound SIP NOTIFY message. The userID and MWI status are used to form the outbound SMDI message.

### Protocols and Standards

- SMDI: Simplified Message Desk Interface (Bellcore TR-NWT-000283)
- RFC 3261: Session Initiation Protocol (SIP)
- RFC 3265: Session Initiation Protocol - Specific Event Notification: (EXT. of 3261)
- RFC 3842: A Message Summary and MWI Event Package for SIP
- RFC 3966: The tel: URI for telephone numbers
- ITU-T E.123 Notation for national and international telephone numbers
- UDP: User Datagram Protocol
- TCP: Transmission Control Protocol
- SNMP: Simple Network Management Protocol (Remote management)

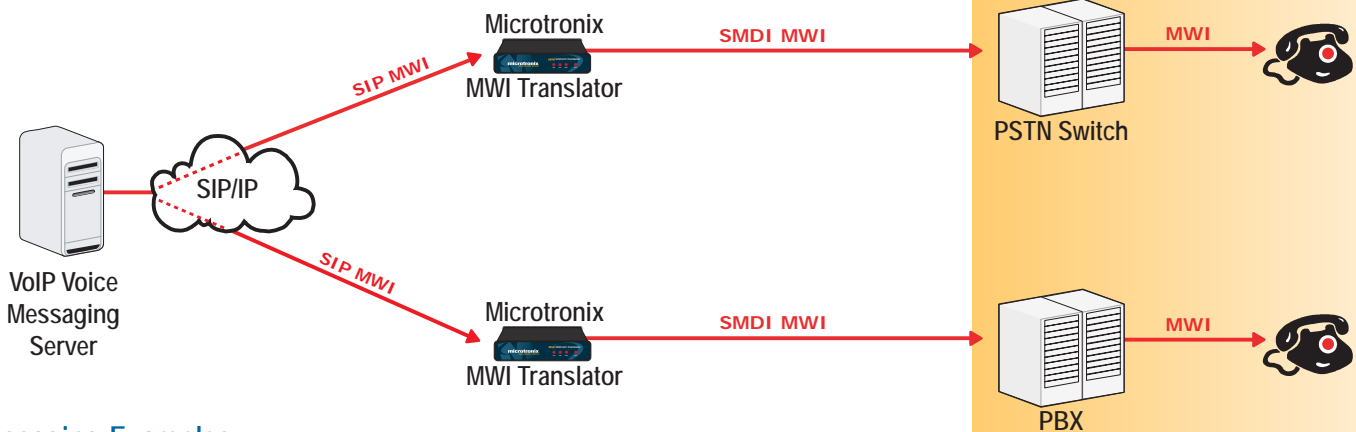
### KEY FEATURES

- Connects to VoIP Voice Mail Systems via SIP/IP
- Compatible with: Microsoft Exchange Server 2007, Geomant MWI 2007, Nortel UM 2000
- Performs SIP MWI to SMDI MWI message translation
- Supports unsolicited SIP NOTIFY requests
- SMDI over serial RS232
- Ethernet interface to IP network
- Web-based GUI for remote configuration and management
- Heartbeat generation

## TECHNICAL INFORMATION

### Messaging Capabilities

The MWI UniCom VL Translator provides translation of unsolicited SIP MWI messages bearing message summary information to SMDI MWI messages. NOTIFY messages with URI: userID@domain.com are received via SIP and parsed to extract the userID, consisting of the telephone number. The SIP MWI message is translated to SMDI MWI and transmitted to the switch via the SMDI serial interface for delivery to a legacy phone.



### Messaging Examples:

- 1) SIP NOTIFY message received with fields:  
sip:5551234567@192.168.1.10  
Messages-waiting: yes

The message will be transmitted on the SMDI interface:  
OP: MWI 5551234567!

- 2) SIP NOTIFY message received with fields:  
sip:5559876543@192.168.1.10  
Messages-waiting: no

The message will be transmitted on the SMDI interface:  
RMV: MWI 5559876543!

## ORDERING INFORMATION

| PART NUMBER | DESCRIPTION                |
|-------------|----------------------------|
| 6410-01-XX  | MWI UniCom VL (AC Powered) |
| Optional:   | Extended H/W Warranty      |
| Optional:   | S/W Maintenance            |

### How to Buy:

Conveniently buy Microtronix products from your preferred technology vendor or purchase direct from Microtronix.

### Contact our Sales Team:

Toll Free +1-888-690-0091  
Email: [sales@microtronix.com](mailto:sales@microtronix.com)

Distributor / Representative:



### North American Head Office:

9-1510 Woodcock Street  
London, Ontario N6H 5S1  
CANADA  
Tel: +1 888 690-0091  
Tel: +1 519 690-0091  
Fax: +1 519 690-0092

### United States:

San Jose  
California  
+1 888 690-0091

### Europe:

Oosterhout  
The Netherlands  
+31 162 714017