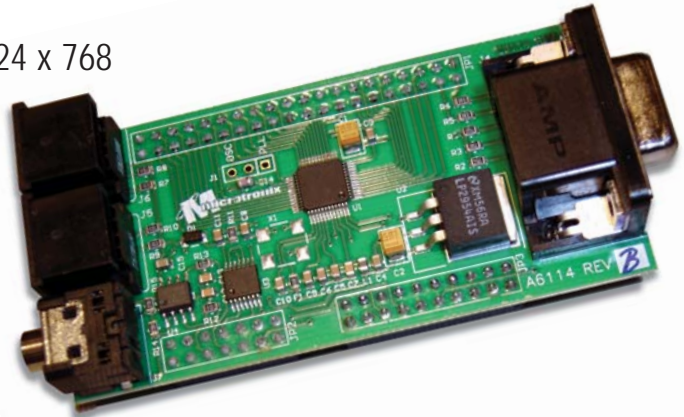


Product DATA SHEET

Overview

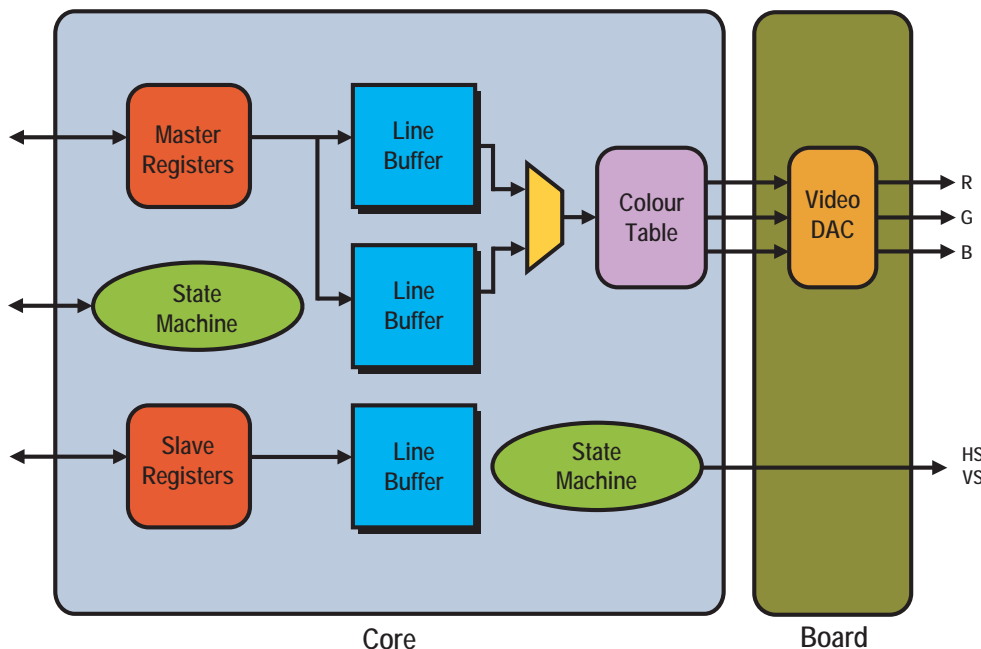
- Display resolutions: 640 x 480, 800 x 600, 1024 x 768
- Displays up to 24-bit color
- Uses 900 LE's
- Video & audio development board
- VGA IP Core reference design & demo
- *Compatible with* *Microtronix Multi-port SDRAM Memory Controller IP Core



**Upgrade your standard SDRAM Memory Controller IP Core with the Microtronix Multi-port SDRAM Memory Controller IP Core and boost your Nios performance by more than 16 times.*

DESCRIPTION

Microtronix is proud to offer the innovative *Lancelot VGA* Video Controller IP Core Solution for customers wanting to develop video IP based solutions. The Lancelot Kit comes complete with an IP core written in VHDL that can be synthesized for all Altera FPGA devices.



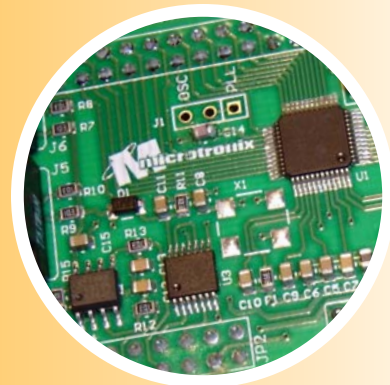
The Kit comes with a small hardware board that includes a 24-bit RAMDAC, VGA connector, stereo audio connector, and 2 PS/2 connectors. The daughter board connects using Santa Cruz expansion headers. The Kit will display an image up to 1024x768 pixels and 24-bit colour.

This add-on board is compatible with the Microtronix Product Starter Kit and the Altera Nios II Development Kits.

Other Features

- Evaluation board provides:
 - 24-bit RAMDAC
 - VGA connector
 - Stereo audio connector
 - Dual PS/2 connectors
- Supported FPGA devices: Cyclone I, II, Stratix I, II
- Core written in VHDL

Get your product to market in weeks, instead of months!



The Lancelot Kit provides you with all of the tools and libraries necessary to provide a complete development environment for building, loading and debugging the IP Core.

TECHNICAL DETAILS

KIT CONTENTS	CD CONTENTS
<ul style="list-style-type: none"> • Nios II Linux Developer CD • One hour of Installation or Technical Support 	<ul style="list-style-type: none"> • Hardware reference designs for Altera Nios II Development Kits • Nios II Open Source 2.6 kernel distribution • Getting Started guide
SUPPORTED HARDWARE DEVELOPMENT PLATFORMS	
<ul style="list-style-type: none"> • Microtronix Nios II development platforms • Altera CycloneEP1C12 Nios II Evaluation Kit • Altera Cyclone EP1C20 Nios II Dev. Kit 	<ul style="list-style-type: none"> • Altera Stratix EP1S10 Nios II Dev. Kit • Altera Stratix EP2S30 Nios II Dev. Kit • Altera Stratix EP1S40 Nios II Dev. Kit

ORDERING INFORMATION

PART NUMBER	DESCRIPTION	US UNIT PRICE
6114-01-01	Lancelot VGA Video Controller IP Core	Contact Sales
6240-01-03	(Optional) Multi-port SDRAM Memory Controller IP Core	Contact Sales

Where to Buy

This product is available online from: Microtronix webstore and through Microtronix authorized distributors.

Distributor / Representative:



North American Head Office:

9-1510 Woodcock Street
 London, Ontario N6H 5S1
 CANADA
 Tel: +1 519 690-0091
 Fax: +1 519 690-0092

Europe:

Oosterhout
 The Netherlands
 +31 162 714017

www.microtronix.com

Microtronix reserves the right to change specifications without notice.

Rev. 1.4 Copyright ©2006 Microtronix Datacom Ltd. ALL RIGHTS RESERVED.